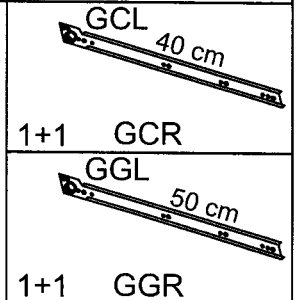
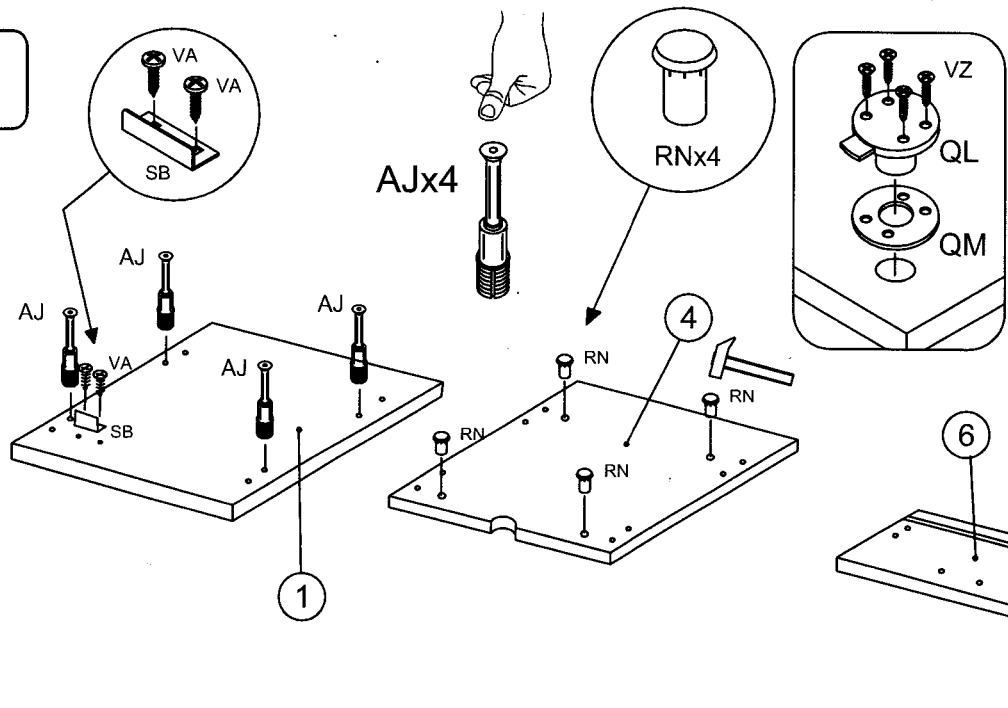
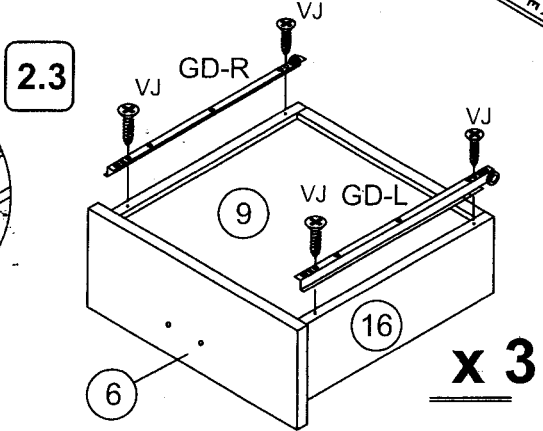
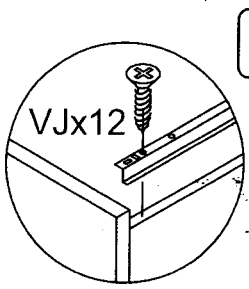
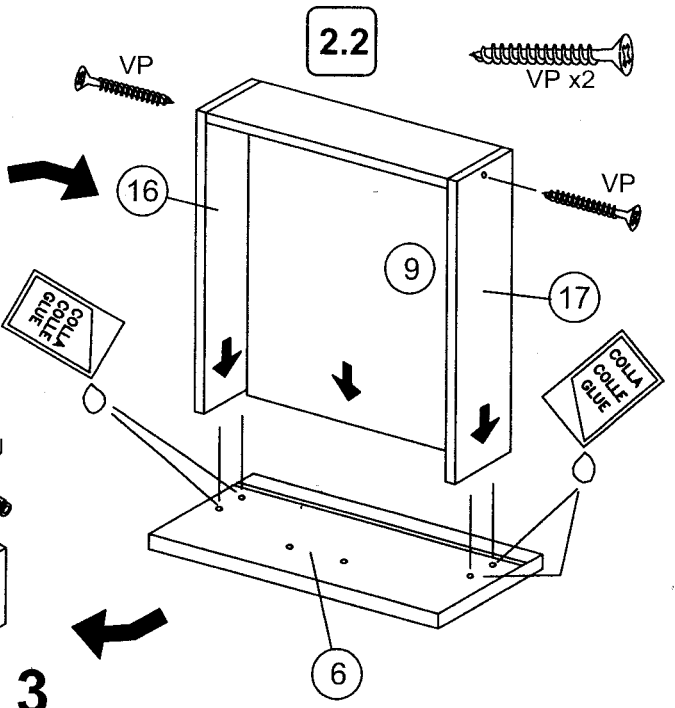
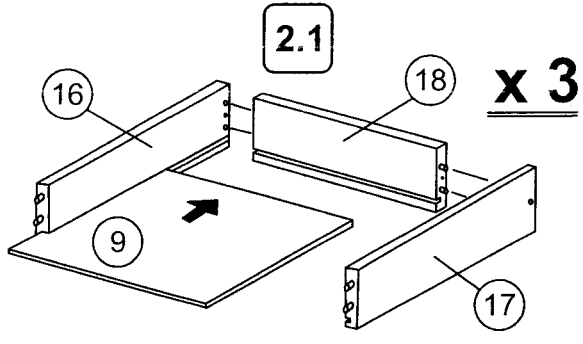


AE 16 	AJ 8 	AM 8 	LN 2 	VB ⊕ 4 	QM 1 	QL 1 	RC 4 	RN 4 	RT 4 
SB 1 	WA 8 	WE 1 	VA ⊕ 10 	VJ ⊕ 8 	VZ ⊕ 4 	ZA 1 	VP 2 	GDR 1+1 40 cm 	GDL 
BU 2 	FK 1 	RK 1 	NJ 2 	NM 2 	FG 2 	WP 10 	GHR 1+1 50 cm 	GHL 	

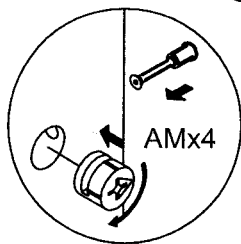
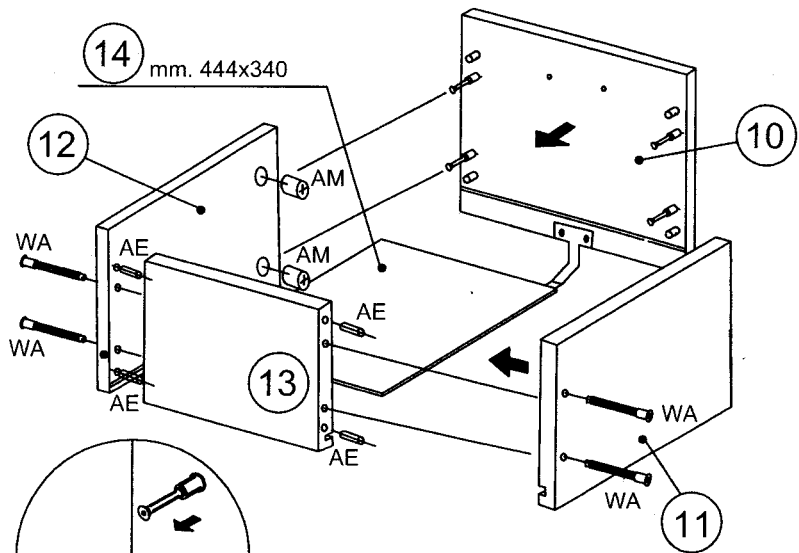
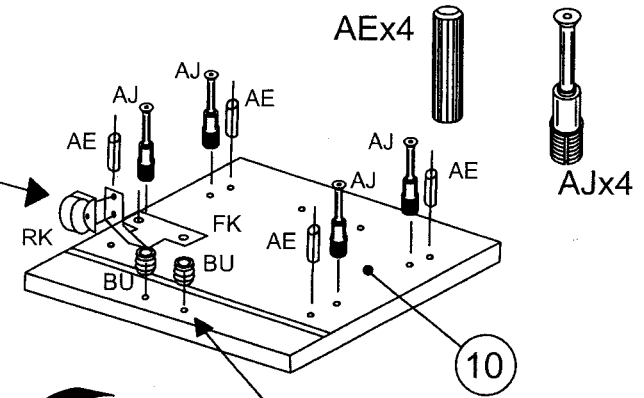
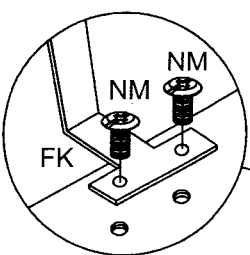
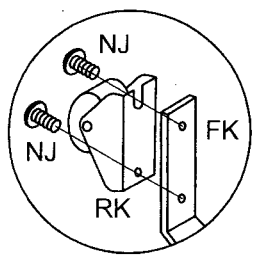
**1**



2



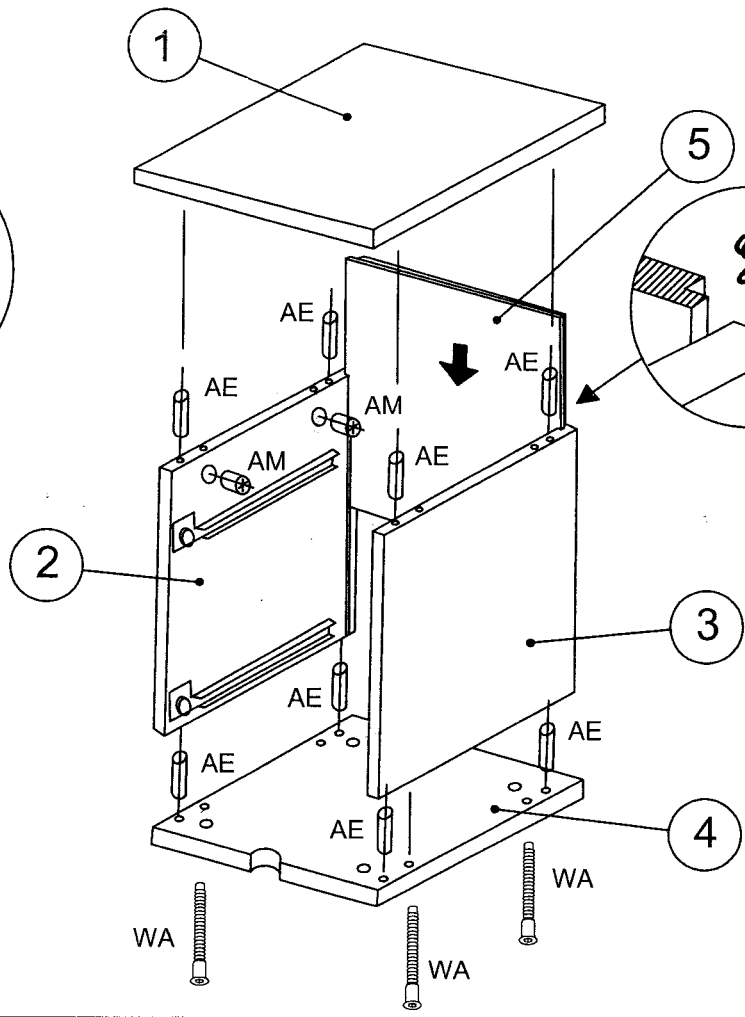
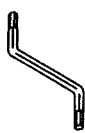
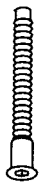
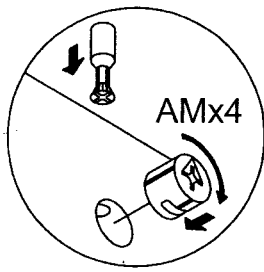
3



- WAx4
- AEx4



6



5

3

4

7

