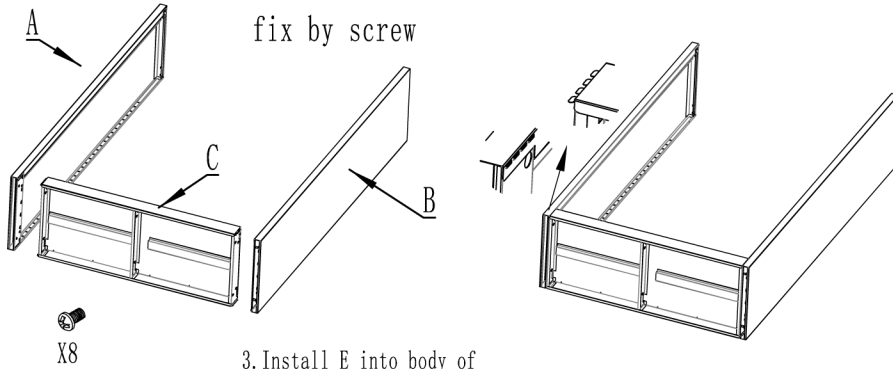
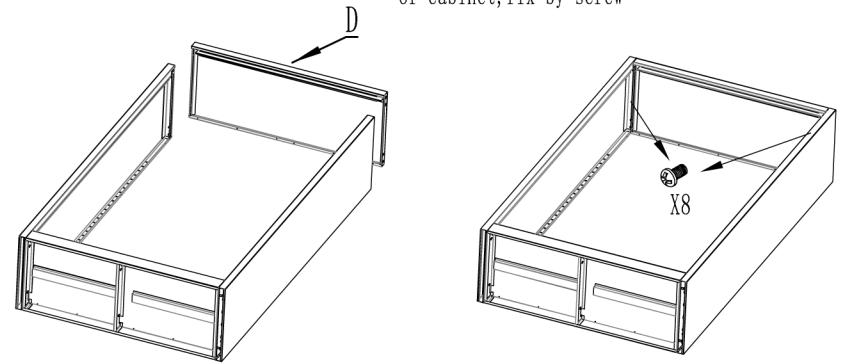


ASSEMBLE INSTRUCTION

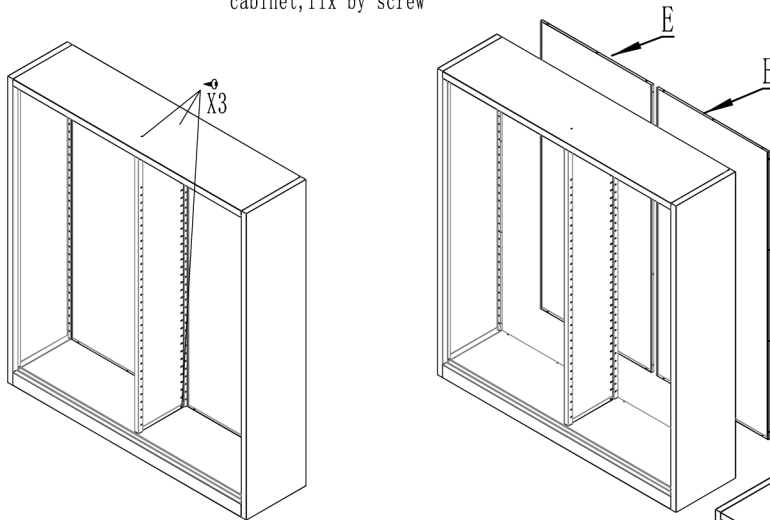
1. Link A, B with C
fix by screw



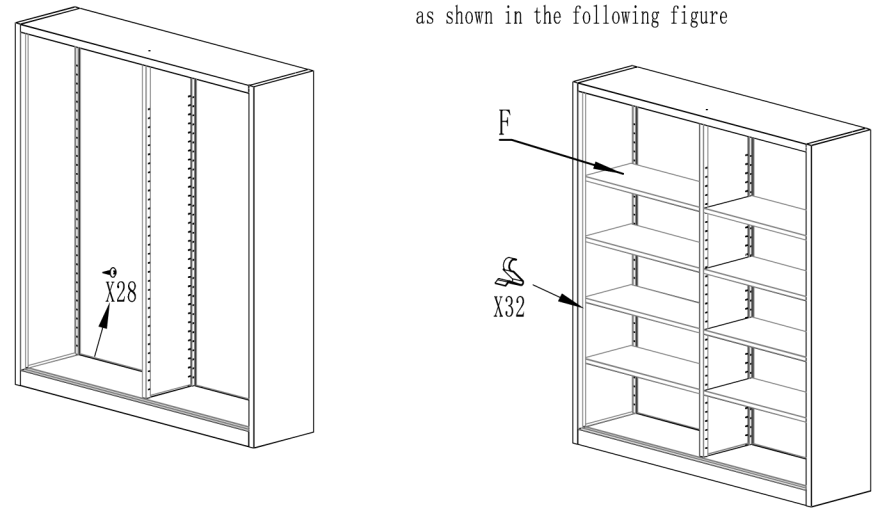
2. Install D into body
of cabinet, fix by screw



3. Install E into body of
cabinet, fix by screw



4. Install F into body of cabinet,
as shown in the following figure



5. Install G H into body of cabinet

